

# XL-3620 2D Barcode Scanner

New Design Concept  
Strong Compatibility  
Independent Core Technology



Red LED



ARM



1D/2D



Mobile payment



640x480Pixel

## Applications



## Features

- ◆ Fast reading on all 1D/2D barcode on paper and screen
- ◆ 0.3 million camera, fast reading speed 60fps/s
- ◆ Light industrial design, unique appearance, fashionable shape
- ◆ Compatible with Windows 7/8/10, iOS, Android, Linux system
- ◆ Plug and play, no need to install drivers, support firmware upgrade
- ◆ Suitable for retail stores, supermarkets, restaurant, pharmacy, assembly line

### SUNLUX IOT TECHNOLOGY (GUANGDONG) INC.

Office Add: 4F, No.7, Kehui First Street, Science Road, Guangzhou, China

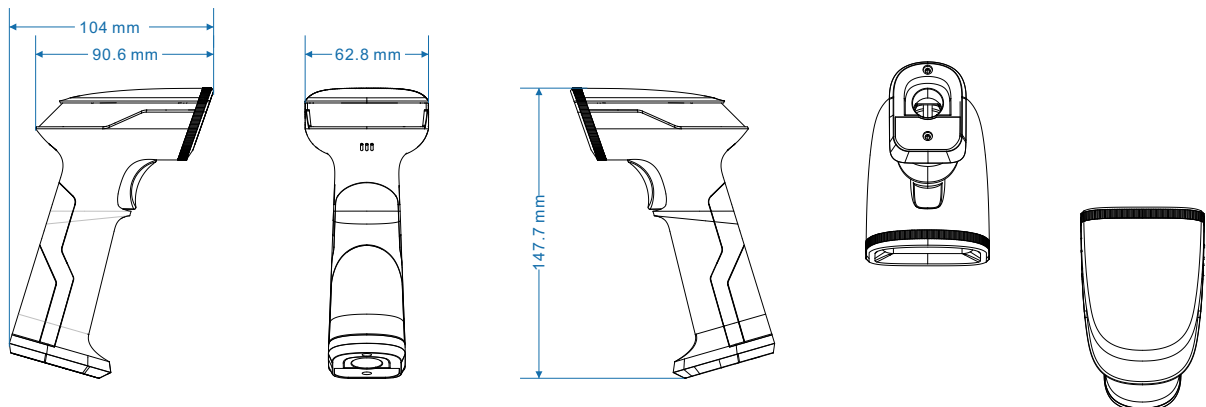
Tel: +86-20-32053765 Fax: +86-20-82115390 Website: [www.xl-scan.com](http://www.xl-scan.com) E-mail: [overseas01@xl-scan.cn](mailto:overseas01@xl-scan.cn)

# XL-3620

## Technical Parameters

### Performance Parameter

Image Sensor	CMOS
Light Levels	White LED (Lighting) RED aiming light
CPU	32bit ARM
IP Standard	IP 54
Image Sensor	640x480 pixels
Scanning Speed	60fps
Decoding Depth	60~360mm (13mil PCS90%)
Minimum Resolution	3mil
Motion Tolerance	13cm / second,(Skew/Pitch) +/- 65°
Interface	USB-HID, USB-VCP, RS232
Scan Mode	Manual & Automatic
Materials	ABS+TPU
Size	L*W*H : 147.7*90.6*62.8(mm)
Weight	185g
Input Voltage	DC 3.6V ~ 5.5V
Working Current	142mA
Stand-by Current	42mA
Temperature(Operating)	-10°C ~ 50°C
Temperature(Storage)	-20°C ~ 60°C
Indicate	LED Indicator and Buzzer
Cable Standard	1.5 Meters
Humidity	5% ~ 95%(non-condensing)
Light Source	0 ~ 5000Lux(fluorescent light), 0 ~ 100,000Lux(daylight)
Decoding Capability	1D: Codabar, Code11, Code39, Code32, Interleaved 2 of 5, Industrial 2 of 5, Matrix 2 of 5, Code93, Code128, GS1-128, UPC-A, UPC-E, EAN 8, EAN 13, GS1 DataBar, RSS14, GS1 DataBar Limited, GS1 DataBar Expanded, etc. 2D: PDF417, Micro PDF417, QR Code, Micro QR, Data Matrix, Aztec Code



\*XL-3620-10/22B-V1.0.0